



# TnT-9S

## Optical Fiber Fusion Splicer

*Product Manual*

[www.technxt.com](http://www.technxt.com)

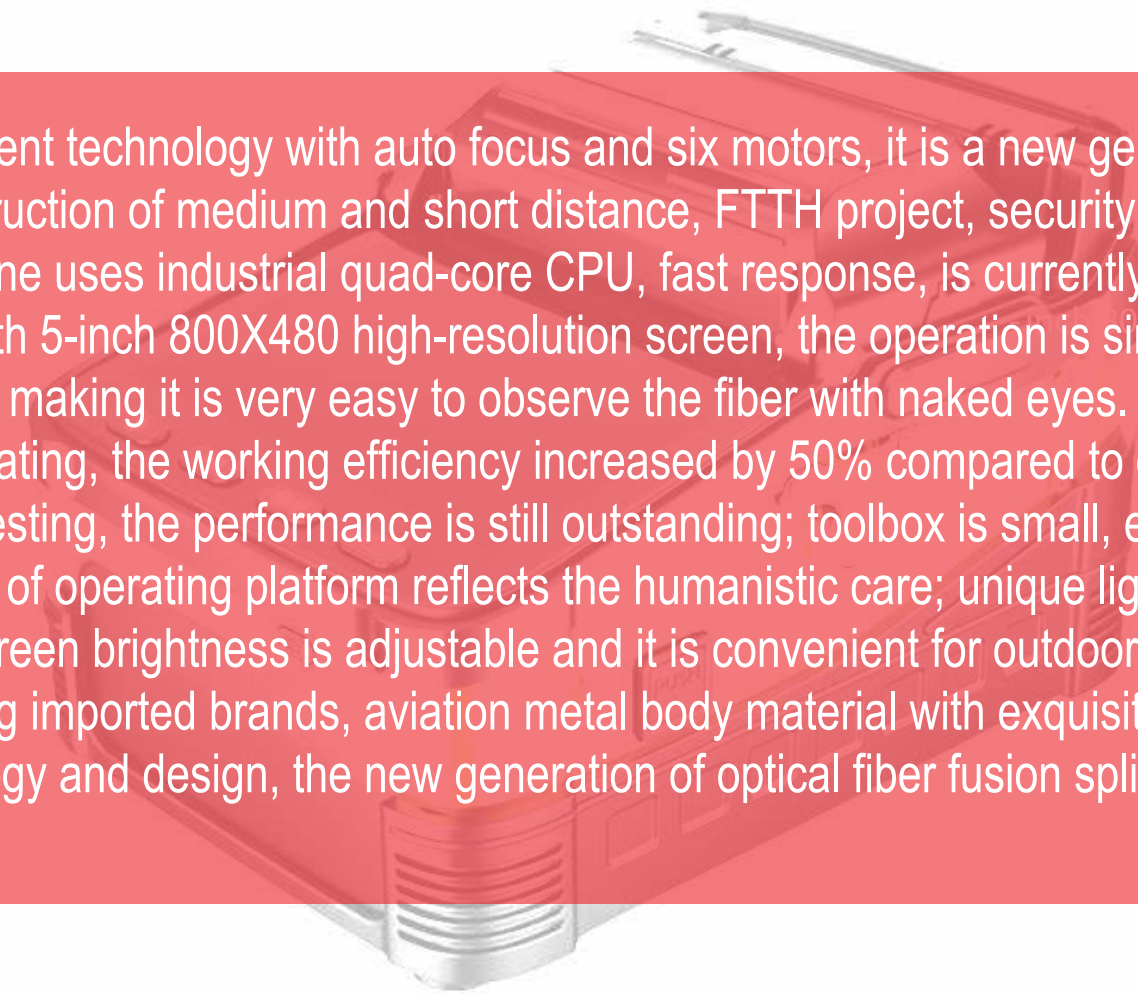
# OPTICAL FIBER FUSION SPLICER

**6 Motor  
Core to Core**



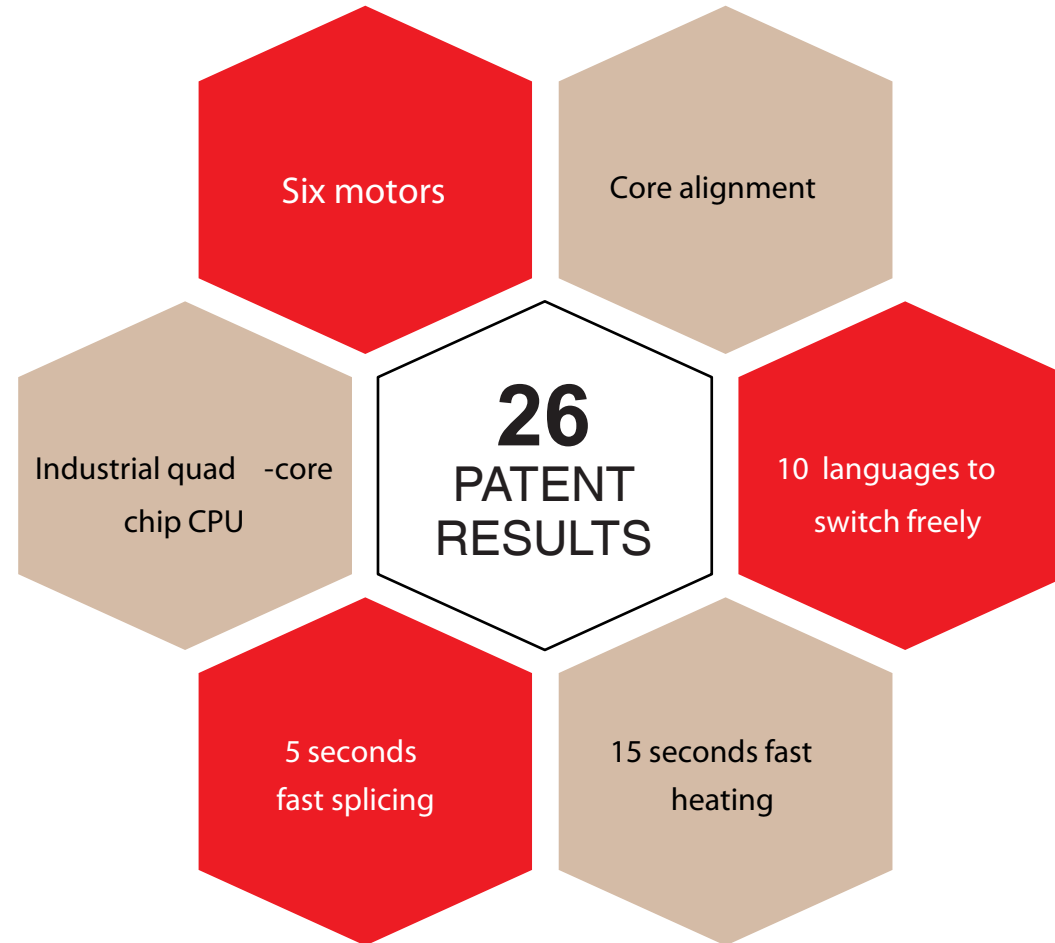
# NEW PRODUCT LAUNCH

## CLASSIC MASTERPIECE



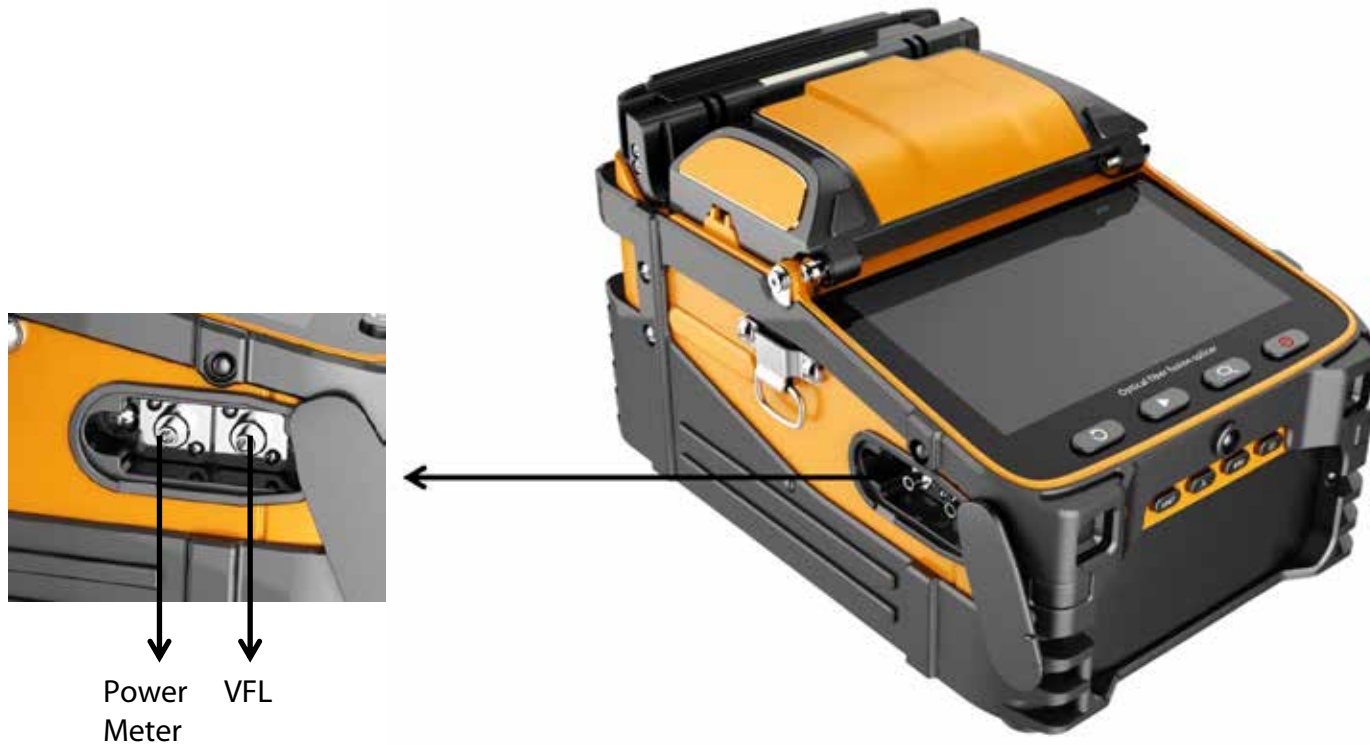
TnT-9S use the latest core alignment technology with auto focus and six motors, it is a new generation of fiber fusion splicer. It is fully qualified with trunk construction of medium and short distance, FTTH project, security monitoring and other fiber cable splicing projects. The machine uses industrial quad-core CPU, fast response, is currently one of the fastest fiber splicing machine in the market; with 5-inch 800X480 high-resolution screen, the operation is simple and intuitively; and up to 300 times focus magnifications, making it is very easy to observe the fiber with naked eyes. 5 seconds speed core alignment splicing, 15 seconds heating, the working efficiency increased by 50% compared to ordinary splicing machines. Under the conditions of rigorous testing, the performance is still outstanding; toolbox is small, exquisite, durable, and with unique bench design. The design of operating platform reflects the humanistic care; unique lighting design, it is convenient for night construction or repair. Screen brightness is adjustable and it is convenient for outdoor sunshine environment operation. The core parts are using imported brands, aviation metal body material with exquisite details. With the combination of advanced technology and design, the new generation of optical fiber fusion splicer will bring you a reliable and comfortable user experience.

# MASTERPIECE HIGH -END LUXURY



# METAL BODY

## AESTHETIC DETAIL



**VFL:** Always on / flashing / off

**Power Meter:**

850nm/1300nm/1310nm/1490nm

/1550nm/1625nm Six states

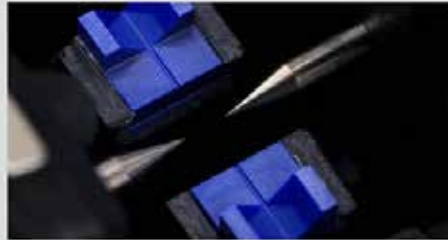
## BUILT - IN POWER METER AND VFL

Effectively measure connection loss, verify continuity, and help assess fiber link transmission quality.

# METAL BODY

## AESTHETIC DETAILS

### PRODUCT DETAILS



### EXQUISITE DETAILS





# THE TOOLBOX

COMES WITH A STOOL TO FACILITATE THE CONSTRUCTION WORKERS.



Stool can bear 100KG

Remove the stool



Do not need to take out the splicer machine from the toolbox while working.

Fiber cleave operator station



Two layers

# CORE PARTS QUALITY ASSURANCE



Siemens stepper motor



Roth ROUST linear guide



Sanyo lithium battery



Aviation metal material



# Lighting for splicer

Convenient for night operation



# Can charge the phone

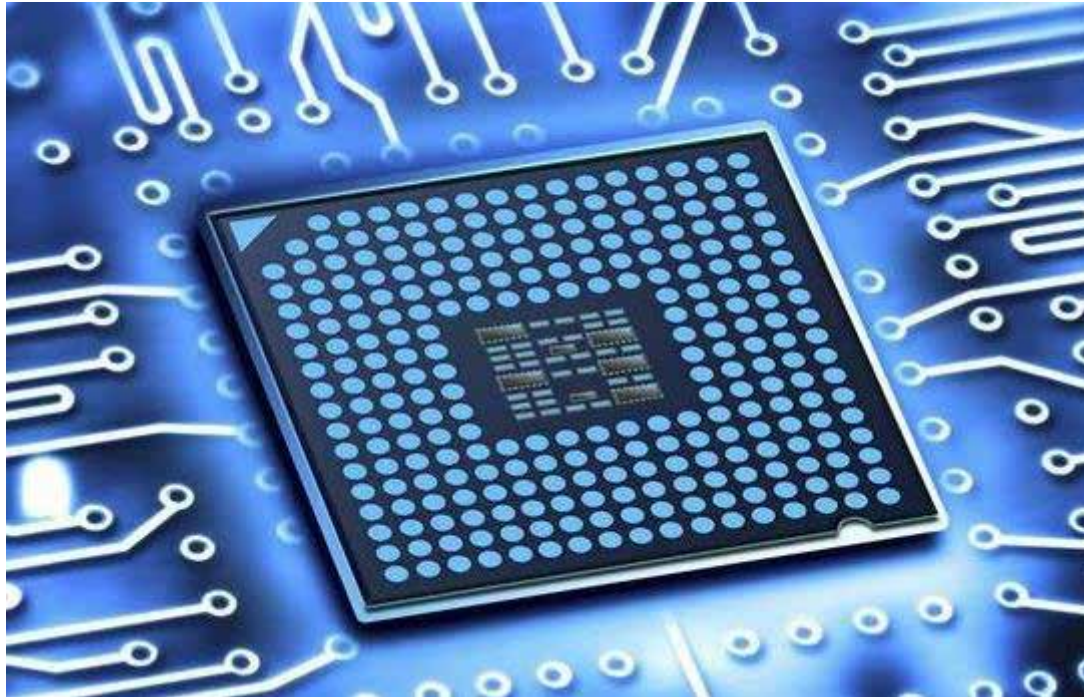
Avoid the use of outdoor construction mobile phones without electricity



# INDUSTRIAL QUAD - CORE CHIP CPU



Synchronous operation / speed response / no jammed / super experience



# 3 IN 1 FIBER HOLDER

SM, MM, bare fiber, pigtail, rubber - insulated, multi fiber cable



# 7800mAh LARGE CAPACITY BATTERY

charging time  $\leq$  3.5 hours/continuous splicing and heating about 260 times



# 10 LANGUAGES TO SWITCH FREELY

Covers the global major user market



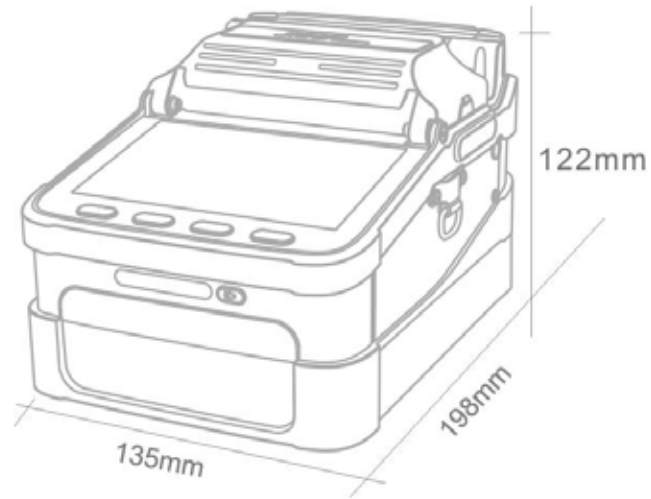


Show good performance in plateau, desert, and  
extreme cold environment



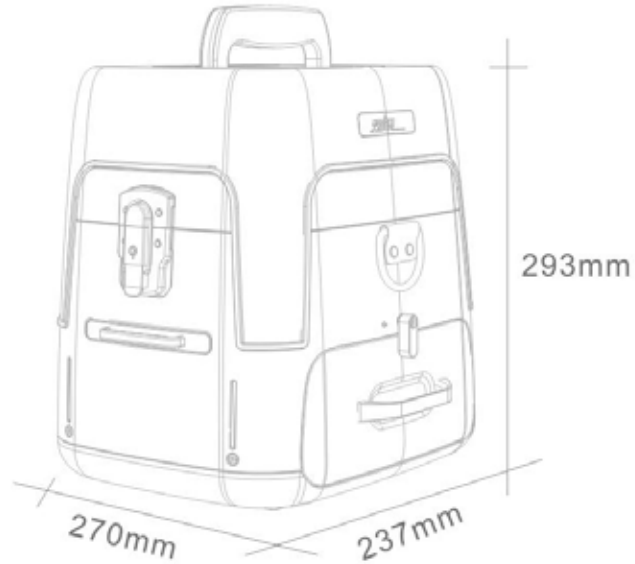


# Size



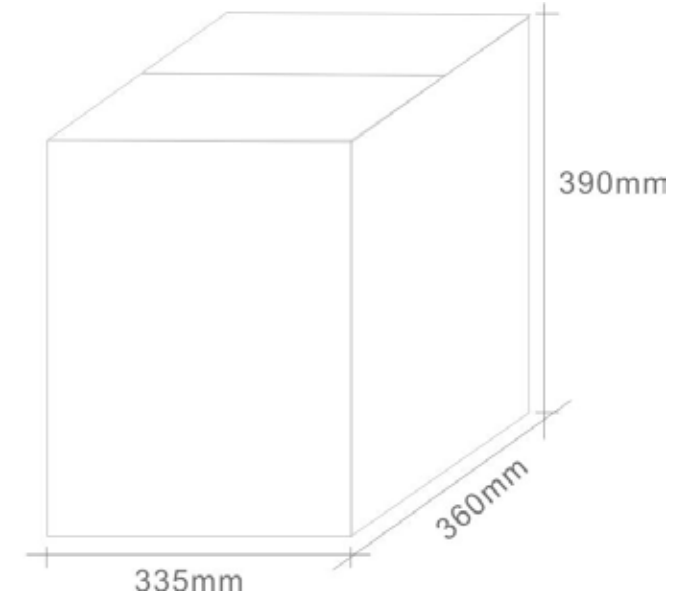
## Machine weight

2.08kg (with battery)  
1.60kg (without battery)



## Toolbox weight

7.1kg (including machine and accessories)



## Total weight

8.40kg

# Accessories in the tool box



Fiber Cleaver



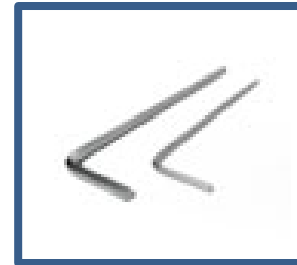
Spare electrode



Wire stripping pliers



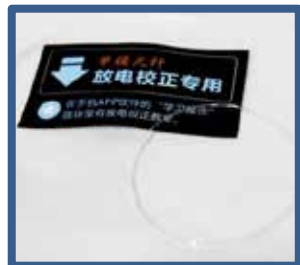
Miller stripper



Hex key



carrying case



Fiber for  
ARC calibration



Strap



Power Adapter



Alcohol Bottle



Brush



User's manual  
Quality Certificate  
Warranty Card

# SERVICE COMMITMENT

---



One year warranty, but these circumstances are not within the scope of this provision.

01.Except for the cleaver, miller clamp, stripping pliers, fiber holders and other tools whose life depends on the frequency of use and the use of the environment. Also electrodes are consumption material which are not in the warranty.

02.Battery and power adapter are warranty for one year, it is in free warranty where it is damaged or can not be charged in one year.