



1550nm High Power Multi Ports PON EDFA

Model: OV-19x32D

4x19 + 8x19 + 16x19 wdm

Technical Specifications



32X19 dBm EDFA with WDM

(4/8/16 Also Available)

Dual Input

Contents

I. Products Overview	2-3
II. Features.....	3-4
III. Main Technical Index.....	5-6
IV. Diagram.....	7
4.1 Single input model:	7
4.2 Dual Input Model (with RF test point):	7
V. Panel	8
5.1 Front Panel	8
5.2 Rear Panel.....	8
5.2.1: (Dual 220V/110V)	8
5.2.2: (220V/110V +-48V)	8
5.2.3: (Dual-48V)	9
VI.Products Series:	9
VII. Applications	9

I. Products Overview (Broadcast Amplifier)

OV Series 1550nm high power fiber amplifier adopts two-stage amplification, the first stage adopts low-noise EDFA, the second stage adopts high-power EDFA, the total output optical power can reach 37dBm. It can replace several or dozens of EDFA, which can greatly reduce the cost of network building and maintenance and reduce the space of head-end. Each output port is built in with CWDM to multiplex CATV signal and OLT PON Data flow. The device will play an increasingly important role in the process of continuous extension and expansion of optical fiber network. It provides a high stability but low cost solution for the triple-play and large area coverage of FTTH.

Optional dual fiber inputs, in fact, built-in with a set of complete optical switch system, which can be used as the backup of A and B optical path. When the main optical line fails or lower than the threshold value, the device will automatically switch to the standby optical line to ensure the continuous operating of the device. The product is mainly used in optical fiber ring network or redundant backup network, It is featured in short switching time ($< 8\text{ms}$), low loss ($< 0.8\text{dbm}$), and can be forced manually switched.

The core components adopts the top brand pump laser and double cladding active fiber. The optimized optical circuit design and manufacturing process ensure the best optical performance. The perfect electronic controlled APC (automatic power control), ACC (automatic current control) and ATC (automatic

temperature control) are adopted to ensure high stability and reliability of output power, as well as excellent optical performance.

MPU (microprocessor) with high stability and precision is adopted in the system. The optimized thermal structure design , good ventilation and heat dissipation design ensure the long life and high reliability of the device. Based on the powerful network management function of TCP / IP protocol, network monitoring and head-end management can be carried out for the status of multiple node equipment through RJ45 network management interface, supporting multiple power supply redundancy configurations, which improved the practicability and reliability of the device.

II. Features

2.1 It adopts the top brand pump laser and double cladding active fiber.

2.2 Each output port is built in with CWDM.

2.3 Compatible with any FTTx PON: EPON、 GPON、 10GPON.

2.4 Perfect APC, ACC and ATC optical circuit design ensures low noise, high output and high reliability of the device in the whole operating band (1545 ~ 1565nm).

2.5 It has the function of automatic protection of low input or no input. When the input optical power is lower than the set value, the laser will automatically shut down to protect the operating safety of the device.

2.6 Output adjustable, adjustment range : 0~-4dBm.

2.7 RF test in the front panel(optional).

2.8 The switching time of optical switch is short and the loss is small. It has the functions of automatic switching and forced manual switching.

2.9 Built- in dual power supply, automatically switched and hot plug supported.

2.11 The operating parameters of the whole machine are controlled by microprocessor, and the LCD status display on the front panel has many functions such as laser status monitoring, parameter display, fault alarm, network management, etc.; once the operating parameters of the laser deviate from the allowed range set by the software, the system will alarm promptly.

2.11 Standard RJ45 interface is provided, supporting SNMP and WEB remote network management.

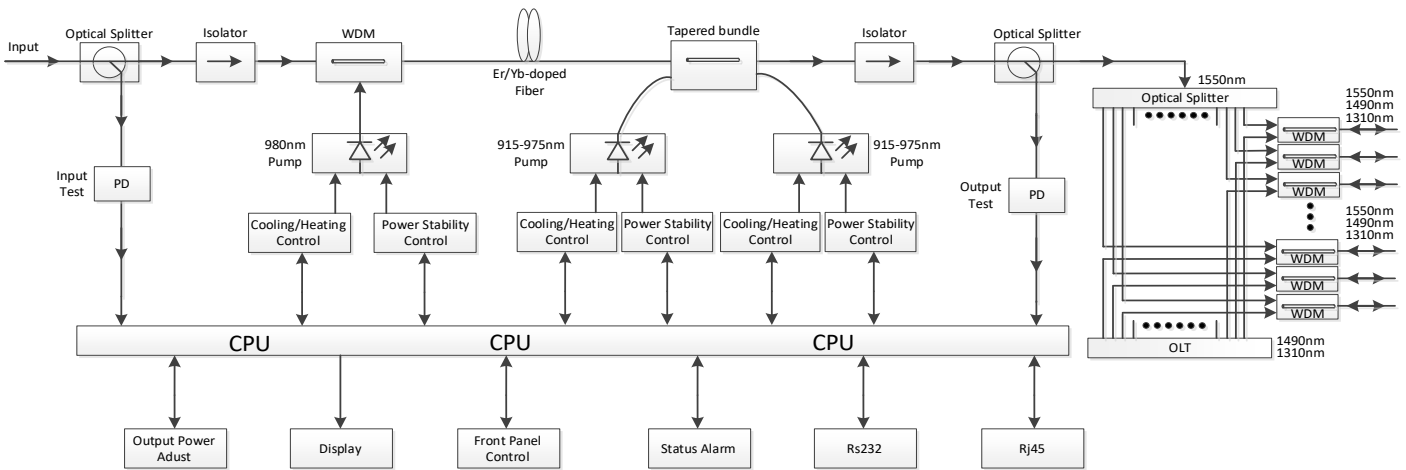
III. Main Technical Index

Category	Items	Unit	Index			Remarks
			Min.	Typ.	Max.	
	CATV Operating Wavelength	nm	1545		1565	
	OLT PON Pass Wavelength	nm	1310/1490			
	Optical Input Range	dBm	-10		+10	
	Output Power	dBm			40	1dBm interval
					32	SC/PC
					32	LC/PC
					64	SC/APC
					64	LC/APC
	CATV Pass Loss	dB			0.8	
	OLT Pass Loss	dB			0.8	
	Output Adjustment Range	dB	-4		0	0.1dB each step
	Output Ports Uniformity	dB			0.7	
	Output Power Stability	dB			0.3	
	Isolation between CATV and OLT	dB	40			
	Switching Time of Optical Switch	ms			8	Optional
	Insertion Loss of Optical Switch	dB			0.8	Optional
	Noise Figure	dB			6	Pin: 0dBm

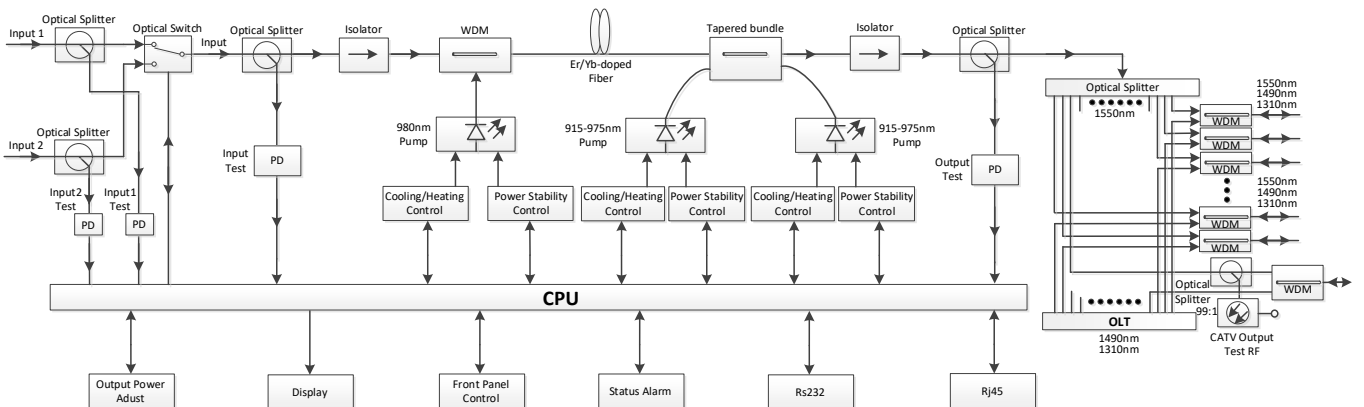
PDL	dB			0.3	(PDL)
PDG	dB			0.4	(PDG)
PMD	ps			0.3	(PMD)
Remnant Pump Power	dBm			-30	
Optical Return Loss	dB	45			
Fiber Connector		SC/APC			FC/APC,LC/APC
RF Test	dB μ V	78		82	Optional
Network Management Interface		SNMP,WEB supported			
		90		265	AC
		-72		-36	DC
Power Consumption	W			100	Dual power supply, Output 40dBm
Operating Temp	°C	-5		65	
Storage Temp	°C	-40		85	
Operating Humidity	Relative %	5		95	
Dimension	mm	370×483×88			W、L、H
Weight	Kg	7.5			

IV. Diagram

4.1 Single input model

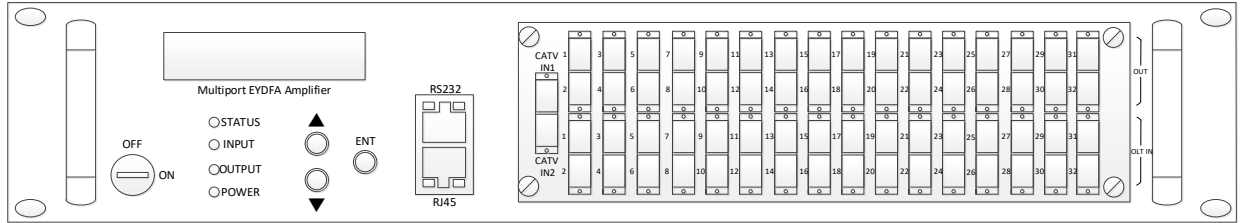


4.2 Dual Inputs Model (With RF test point)



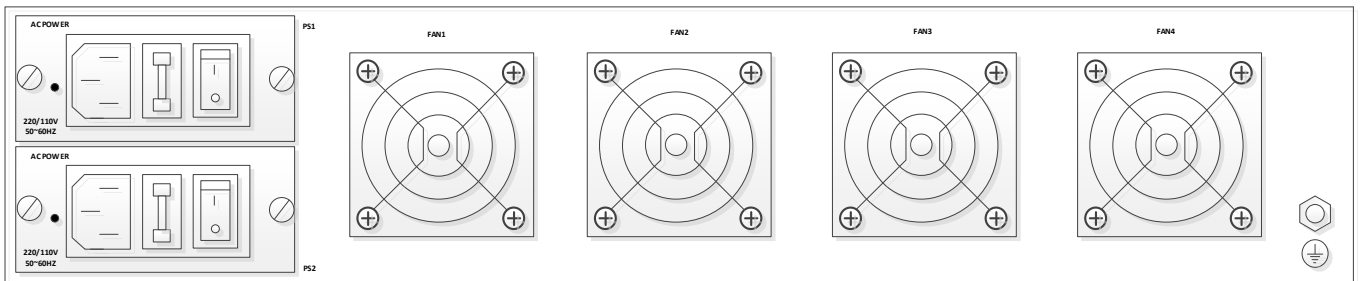
V. Panel Instructions

5.1 Front Panel

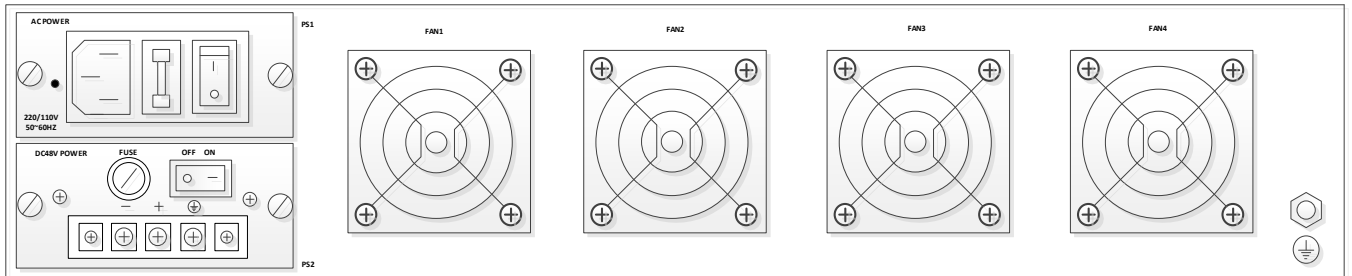


5.2 Rear Panel

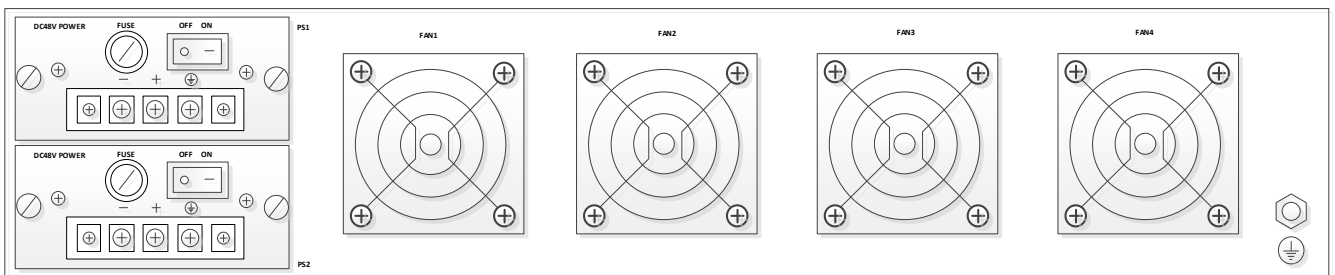
5.2.1 Dual 220V/110V



5.2.2 (Dual 220V/110V+-48V)



5.3.2: (Dual-48V)



I. Products Series

VII. Applications

1. FTTH、FTTx PON、Triple-play

2. Network upgrading and capacity expansion based on existing optical fiber resource.